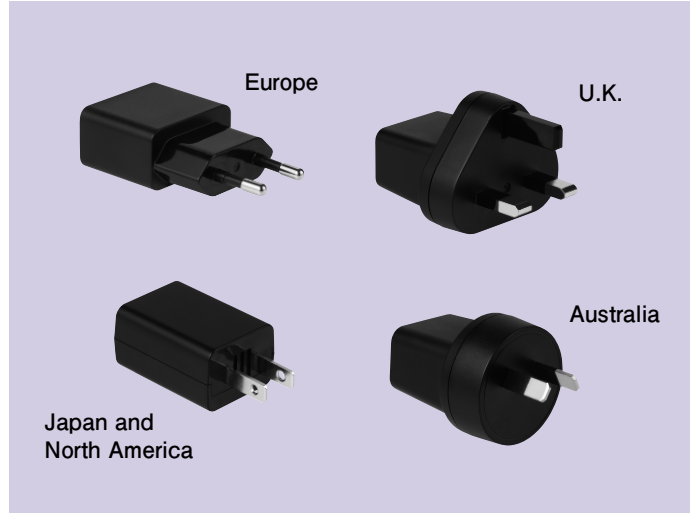


# 7.5W USB Output small AC Adaptor with Worldwide Input ADP-USB-W4 Series

Adaptors, Chargers/Switching Power Supplies

## OUTLINE

Small AC adaptor for use overseas, featuring a USB standard TYPE\_A connector for output.  
Can meet safety standards for all destinations.



## FEATURES

1. Supports the latest DOE efficiency regulation.
2. Standard cases for various countries and regions have been made.
3. Small size: volume 30cc (for Japan and North America)

## USES

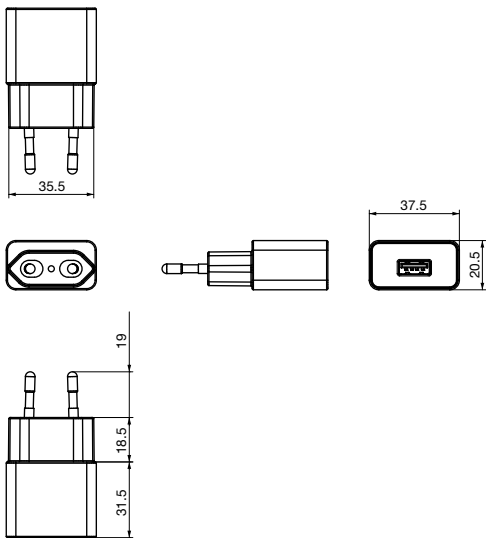
Information communication terminal. (Smart phone, Tablet, DSC, DVC etc.)

## SPECIFICATIONS

Item	Specifications
Input voltage	AC100~240V 50/60Hz
Output capacity	5V/1.5A
Stand-by power	300mW or less (Specification required by DoE 100mA or less)
Output control method	Primary Control
Average efficiency	77.5% Typ.
Operating temperature range	0~50°C
Storage temperature range	-20~+60°C
Output connector	USB TypeA
Safety standards	Conforms to IEC60950
Destinations	Japan, North America, Europe, UK, Australia, China, Taiwan, Korea, Brazil, Argentina

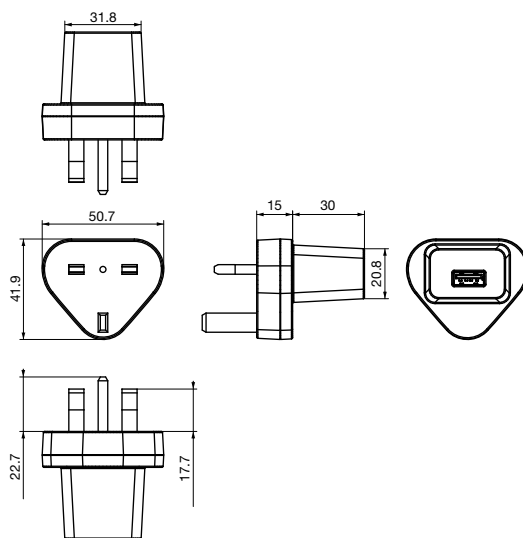
**DIMENSIONS**

Europe



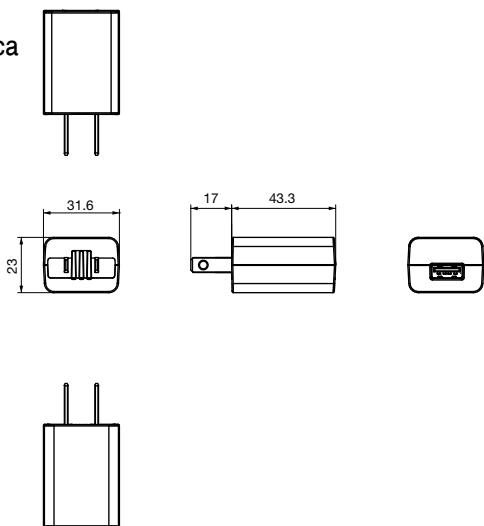
Unit : mm

U.K.



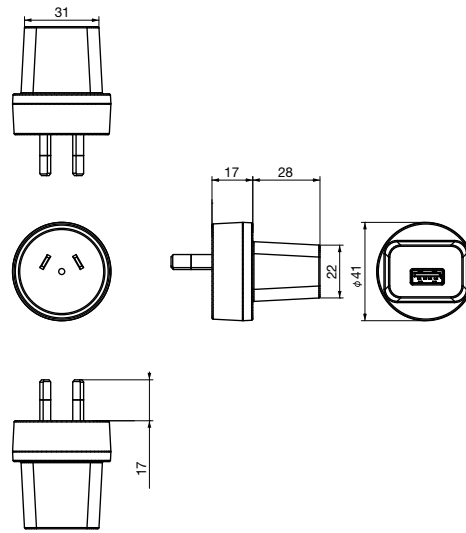
Unit : mm

Japan and North America



Unit : mm

Australia



Unit : mm

• Any products mentioned in this catalog are subject to any modification in their appearance and others for improvements without prior notification.  
 • The details listed here are not a guarantee of the individual products at the time of ordering. When using the products, you will be asked to check their specifications.