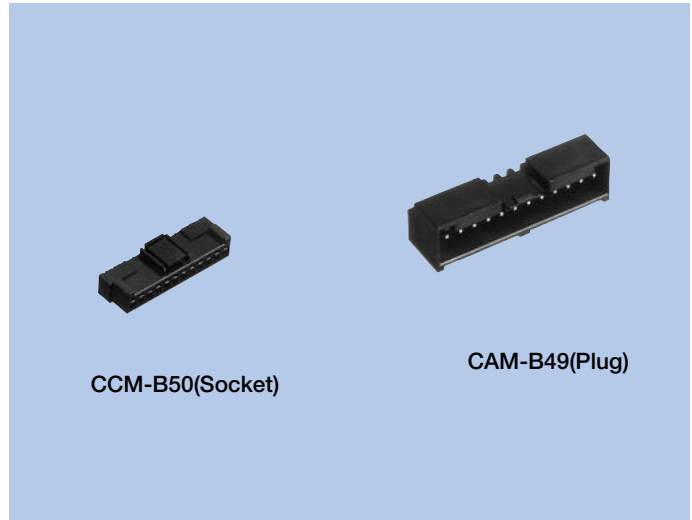


# Power Supply Voltage & Signal CAM-B49, CCM-B50 Series

## FEATURES

1. 15 pin power connector of an angle type on the plug side.
2. The lock device ensures secure fitting.
3. This type is common to both power and signal contact pins.



CCM-B50(Socket)

CAM-B49(Plug)

## HOW TO ORDER

### 1. CAM-B49 Series (Plug)

**B49-015-02 0-I J B A A**  
1 2 3 4 5 6 7 8 9

- 1 Series No. (B49)
- 2 No. of contacts (015 : 15pins)
- 3 Housing material (02 : PBT resin)
- 4 Housing UL grade (0 : UL94V-0)
- 5 Contact plating (I : Tin reflow plating)
- 6 Contact plating thickness (J : 3.0μm)
- 7 Contact tail style (B : Angle)
- 8 Accessory for connector outside (A : None)
- 9 Accessory for connector inside (A : None)

### 2. CCM-B50 Series (Socket)

**B50-015-□□□□**  
1 2 3

- 1 Series No. (B50)
- 2 No. of contacts (015 : 15pins)
- 3 Running No. assigned by us

## SPECIFICATIONS

### ELECTRICAL CHARACTERISTICS

Rated Voltage	14V DC
Rated Current	10A
Withstanding Voltage	500V AC (rms) 1minute
Insulation Resistance	100MΩ min. (at 500V DC)
Contact Resistance	70mΩ max.

### MECHANICAL CHARACTERISTICS

Life (Matching Cycle)	30 times
Total Insertion Force	117.6N (12kgf) max.
Total Withdrawal Force	7.06N (0.72kgf) min.
Using Temperature Range	-35~+85°C

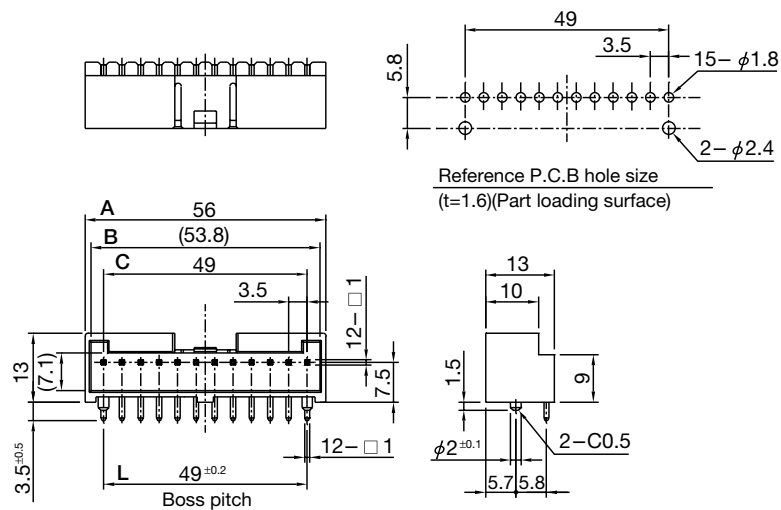
• Any products mentioned in this catalog are subject to any modification in their appearance and others for improvements without prior notification.  
 • The details listed here are not a guarantee of the individual products at the time of ordering. When using the products, you will be asked to check their specifications.

## MATERIAL & FINISH

Component Parts		Material	Finish
CAM-B49 Series (Plug)	Housing	Glass filled PBT resin (Black)	—
	Contact	Copper Alloy	Tin reflow plating
CCM-B50 Series (Socket)	Shielded Case	46 Nylon	—
	Contact	Copper Alloy	Tin reflow plating

## DIMENSIONS

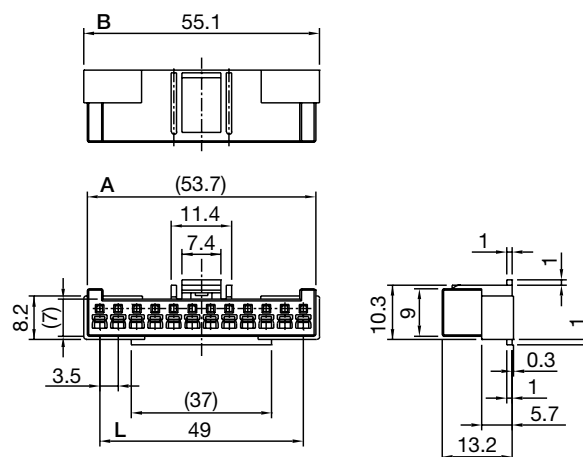
### CAM-B49



Unit : mm

No. of Contacts	Part No.	Dimensions			
		L	A	B	C
15	B49-015-020-HJBAA	49	56	53.8	49

### CCM-B50



Unit : mm

No. of Contacts	Part No.	Dimensions		
		L	A	B
15	B50-015-□□□□	49	53.7	55.1